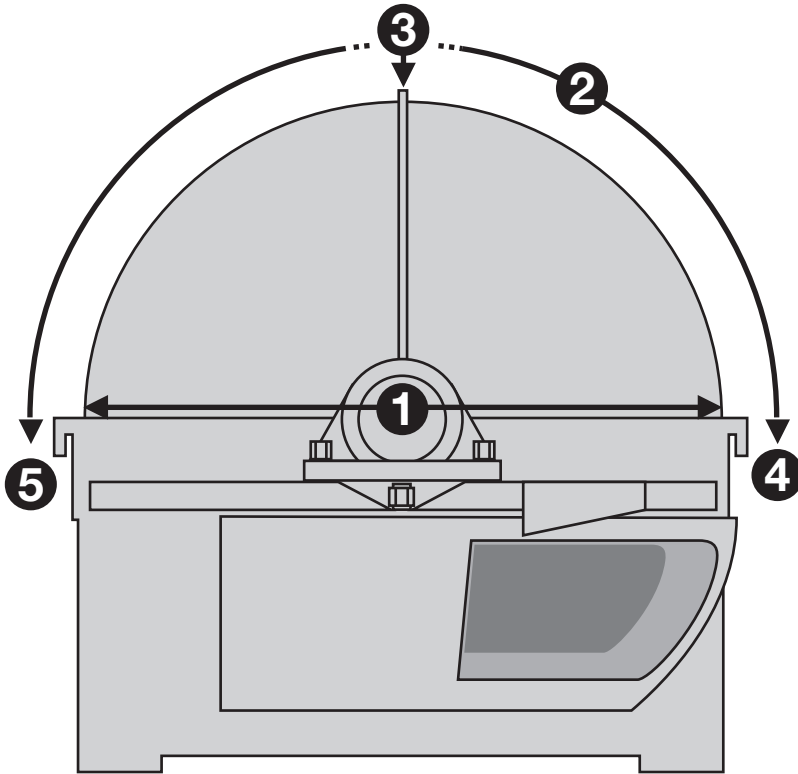
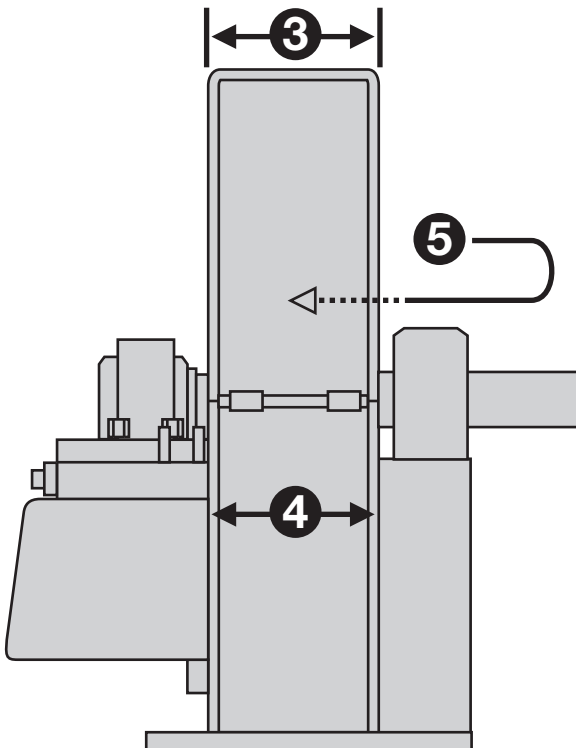


# HOW TO MEASURE FOR A CHIPPER BALLISTIC/BLAST BLANKET



Since the the width of the housing on a chipper, vertical or slant style, may be tapered, five measurements are needed:

1. Measure the diameter of the face or front of the blade housing. \_\_\_\_\_
2. Measure the length of the housing to be covered. \_\_\_\_\_
3. Measure the width at the top of the housing, or at a point midway between the narrowest and widest dimensions of the housing. \_\_\_\_\_
4. Measure the width of the housing nearest the intake end where the end point of the blanket length will be. \_\_\_\_\_
5. Measure the width of the housing nearest the discharge end where the end point of the blanket length will be. \_\_\_\_\_
6. Indicate size and position of any openings needed for lifting points, maintenance hatches etc., and position and length needed for attachment straps. \_\_\_\_\_
7. Make and Model of your Chipper: \_\_\_\_\_




---



---



---

**STROUD**  
INDUSTRIAL SAFETY SOLUTIONS

Tech Support: 405-632-2022  
info@stroudindustrialsafetysolutions.com  
www.stroudindustrialsafetysolutions.com