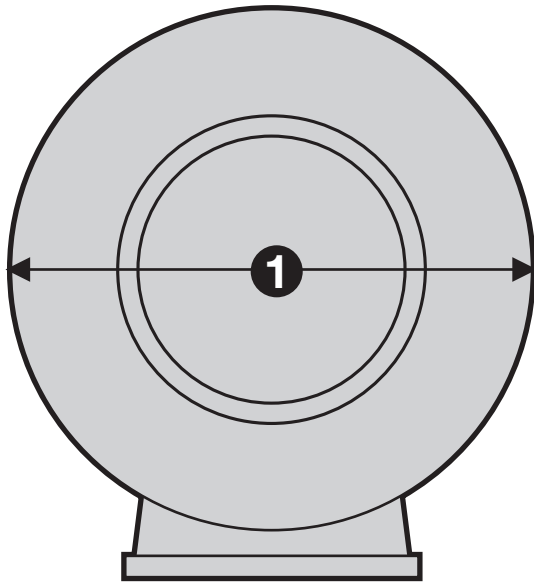


HOW TO MEASURE FOR AN INDUCTION BLOWER/COMPRESSOR BLANKET



FRONT

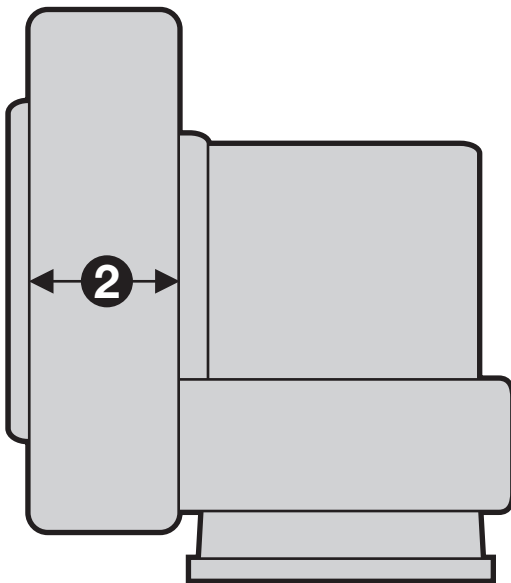
On a rear induction blower, the fan housing is usually the same width around its entire circumference. Therefore only two measurements are needed:

1. Measure the diameter of the face or front of the blower housing. _____

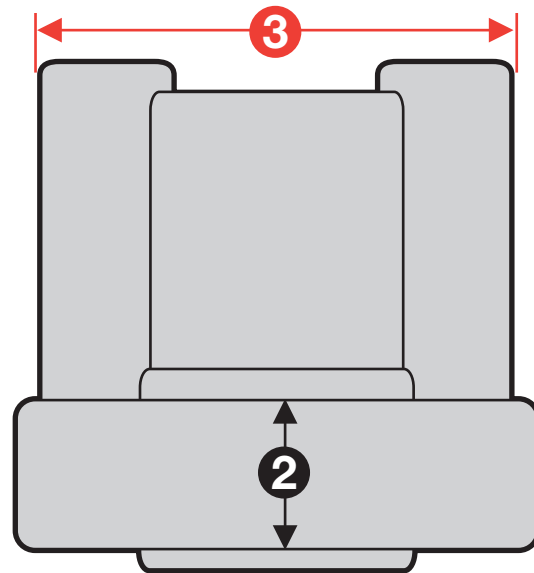
2. Measure the width of the housing. _____

3. **NOTE:** measure the width of the outside edge of inlet and exhaust ports as shown below. _____

Make and Model of your Induction Blower/Compressor: _____



SIDE



TOP