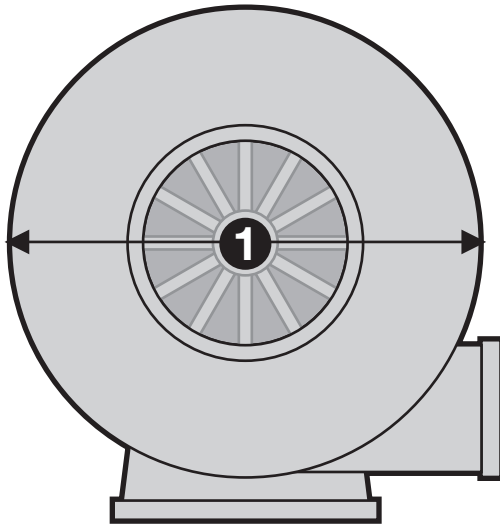
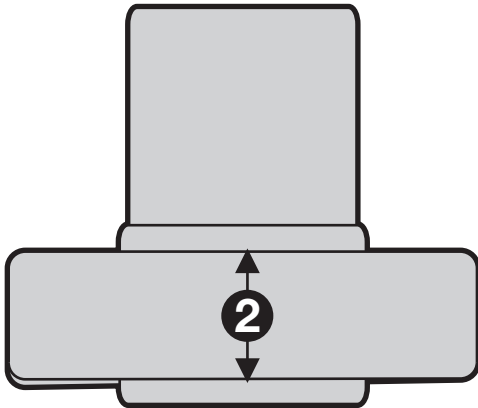


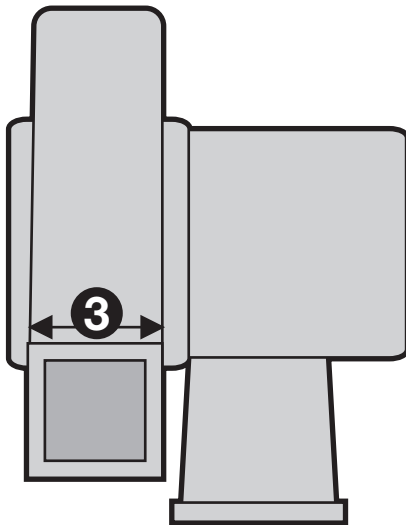
HOW TO MEASURE FOR A CENTRIFUGAL BLOWER/COMPRESSOR BLANKET



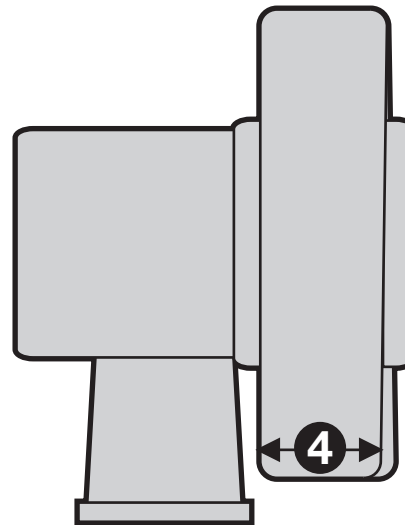
FRONT



TOP



EXHAUST SIDE



INLET SIDE

Since the the width of the housing on a front induction blower is usually tapered, four measurements are needed:

1. Measure the diameter of the face or front of the blower housing. _____
2. Measure the width at the top of the housing, or at a point midway between the narrowest and widest dimensions of the housing. _____
3. Measure the width at the exhaust or widest point of the housing. _____
4. Measure the width of the intake or narrowest point of the housing opposite the exhaust side. _____

Make and Model of your Centrifugal Blower/Compressor:
